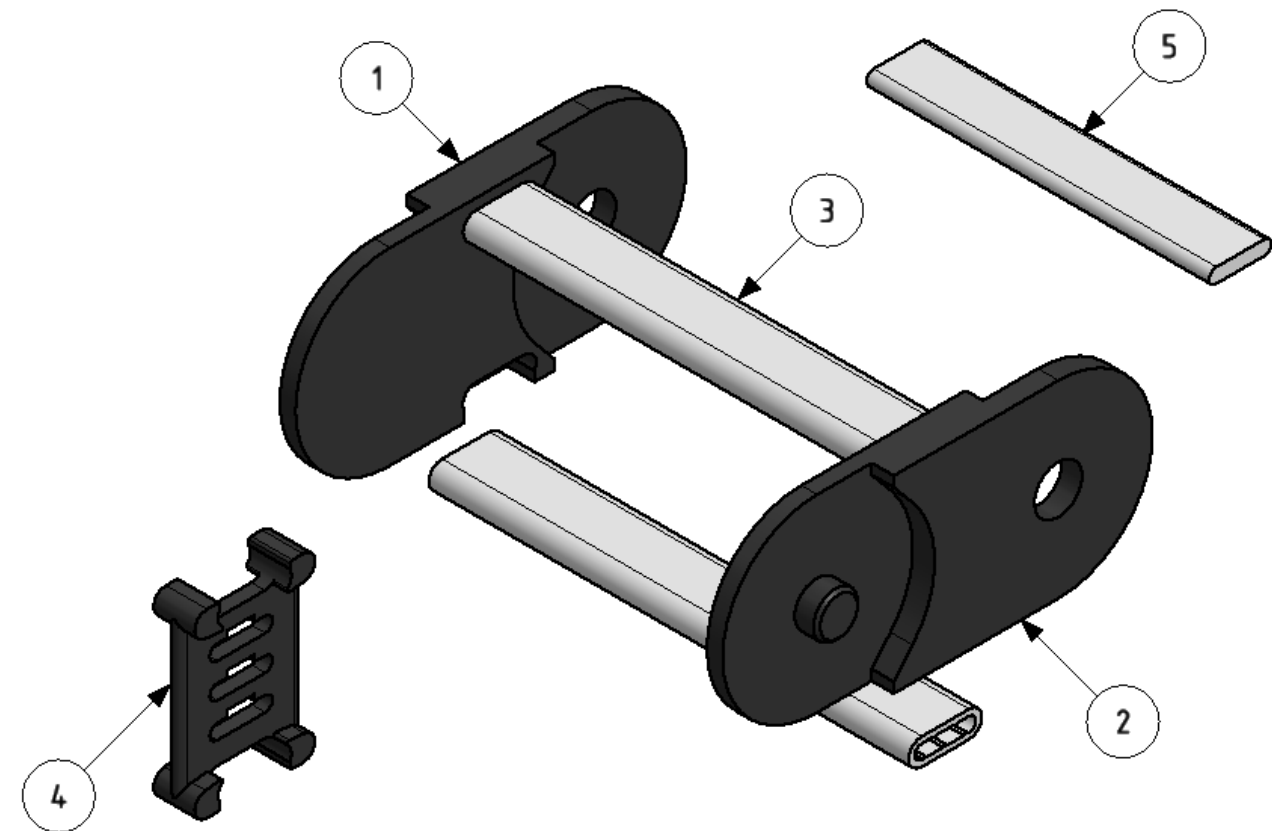


Parts list VARIO-LINE

Cable carrier M 0320

Stay type	page
MC 0320.01 RS.....	2
MC 0320.02 RS.....	3
ME 0320 RE	4
Brackets	
Brackets M 0320.....	6

MC 0320.01 RS



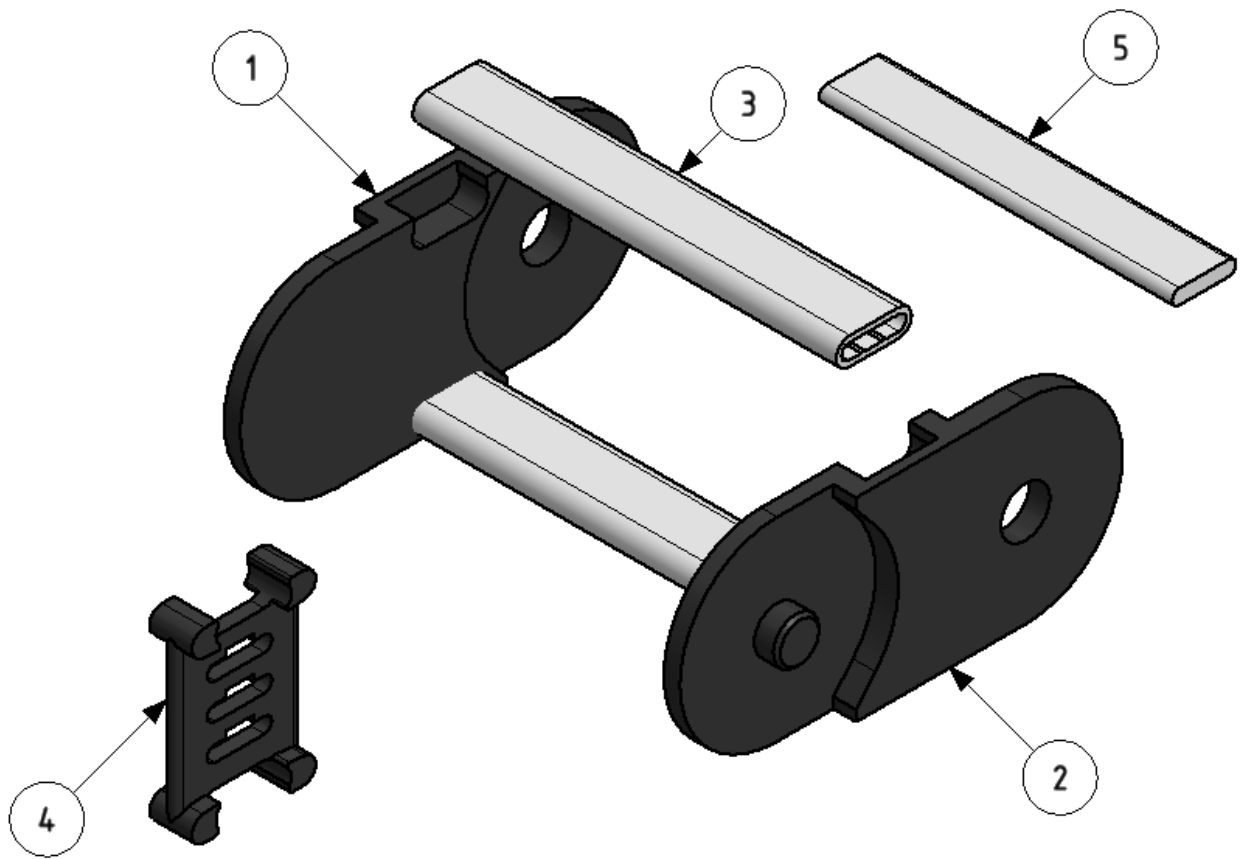
Item	Materialtext [remarks]	KR 037	KR 047	KR 077	KR 100	KR 200
1 ¹	Chain plate MC 0320.01 left	54600	54601	54602	54603	54604
2 ¹	Chain plate MC 0320.01 right	54610	54611	54612	54613	54614

Item	Materialtext [remarks]	Mat.-No.
3	Connecting profile 10,8 x 4 0321 link [aluminum, stay outside L = Bi + 8mm, stay inside L = Bi, for partial height separation]	5803
4	Divider MC/ME 0320 without pin [TS0 – without height separation, TS1 – continuous height separation with flat profile (item5), without pins, s _T = 2mm]	54490
5	Flat profile 2,1 x 9,1 [aluminum, for continuous height separation with divider (item4)]	6240
-	Special key 0321 [plastic, for connecting profile (item3)]	16091

Back to: [contents](#)

¹ For 1 piece chain band are 31 chain plates necessary = 992mm

MC 0320.02 RS



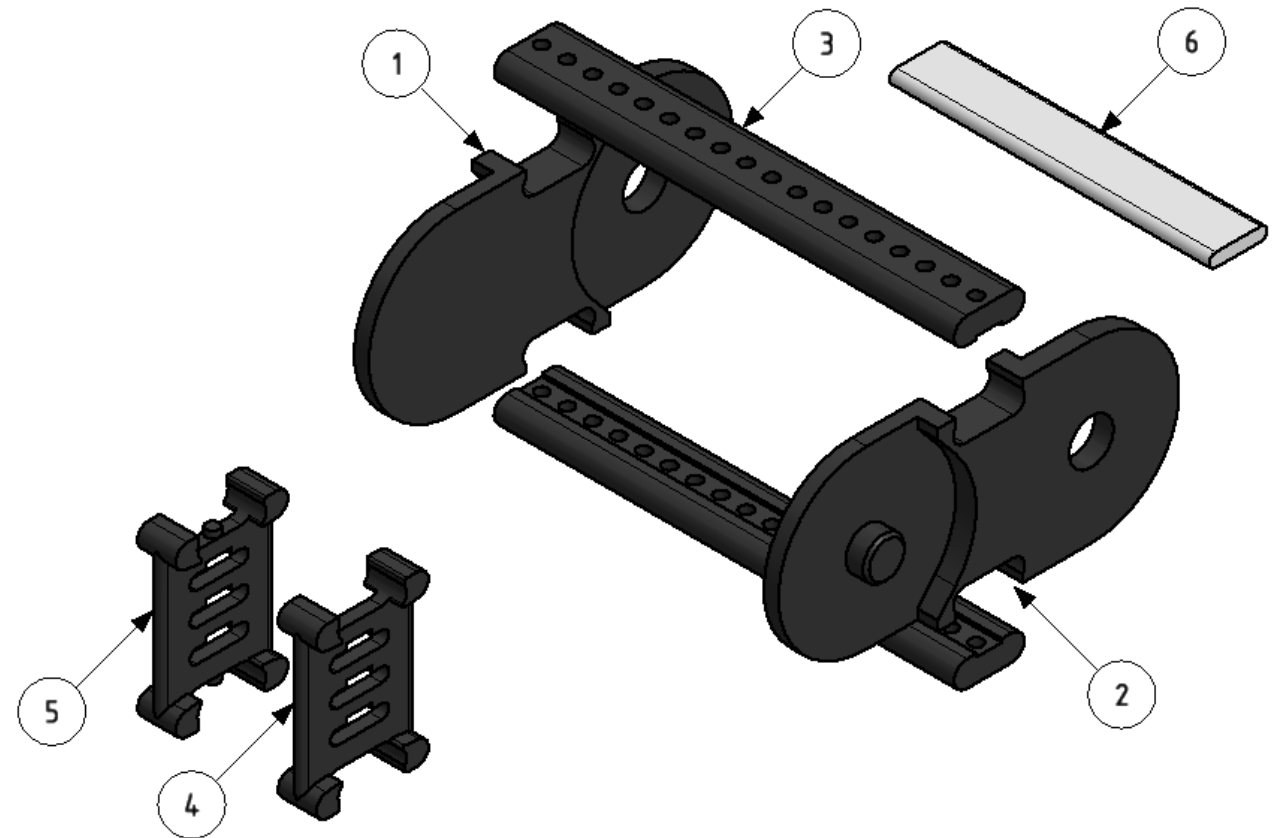
Item	Materialtext [remarks]	KR 037	KR 047	KR 077	KR 100	KR 200
1 ¹	Chain plate MC 0320.01 left	54700	54701	54702	54703	54704
2 ¹	Chain plate MC 0320.01 right	54710	54711	54712	54713	54714

Item	Materialtext [remarks]	Mat.-No.
3	Connecting profile 10,8 x 4 0321 link [aluminum, stay outside L = Bi + 8mm, stay inside L = Bi, for partial height separation]	5803
4	Divider MC/ME 0320 without pin [TS0 – without height separation, TS1 – continuous height separation with flat profile (item5), without pins, s _T = 2mm]	54490
5	Flat profile 2,1 x 9,1 [aluminum, for continuous height separation with divider (item4)]	6240
-	Special key 0321 [plastic, for connecting profile (item3)]	16091

Back to: [contents](#)

¹ For 1 piece chain band are 31 chain plates necessary = 992mm

ME 0320 RE



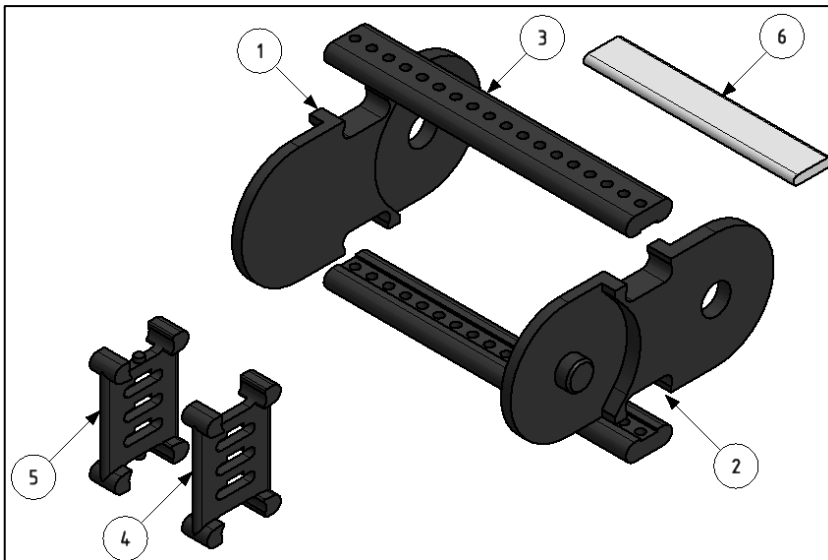
Item	Materialtext [remarks]	KR 037	KR 047	KR 077	KR 100	KR 200
1 ¹	Chain plate MC 0320.01 left	58250	58251	58252	58253	58254
2 ¹	Chain plate MC 0320.01 right	58260	58261	58262	58263	58264

Item	V-profile ME 0320 [plastic-height separation with 10mm grid]								
3	L	16	20	24	28	32	36	40	44
	Mat.-No.	71341	71342	71343	71344	71345	71346	71347	71348
	L	48	52	56	60	64	68	72	76
	Mat.-No.	58270	71349	71350	58271	71351	71352	71353	71354
	L	80	84	88	92	96	100	104	108
	Mat.-No.	58272	71355	71356	71357	71358	58273	71359	71360
	L	112	116	120	124	128	132	136	140
	Mat.-No.	71361	71362	58274	71363	71364	71365	71366	58275
	L	144	148	152	156	160	164	168	172
	Mat.-No.	71367	71638	71639	71370	58276	71371	71372	71373
L	176	180	184	188	192	196	200		
Mat.-No.	71374	71375	71376	71377	71378	71379	71380		

Item	Materialtext [remarks]	Mat.-No.
4	Divider MC/ME 0320 without pin [TS0 – without height separation, TS1 – continuous height separation with flat profile (item5), without pins, $s_T = 2\text{mm}$]	54490

¹ For 1 piece chain band are 31 chain plates necessary = 992mm

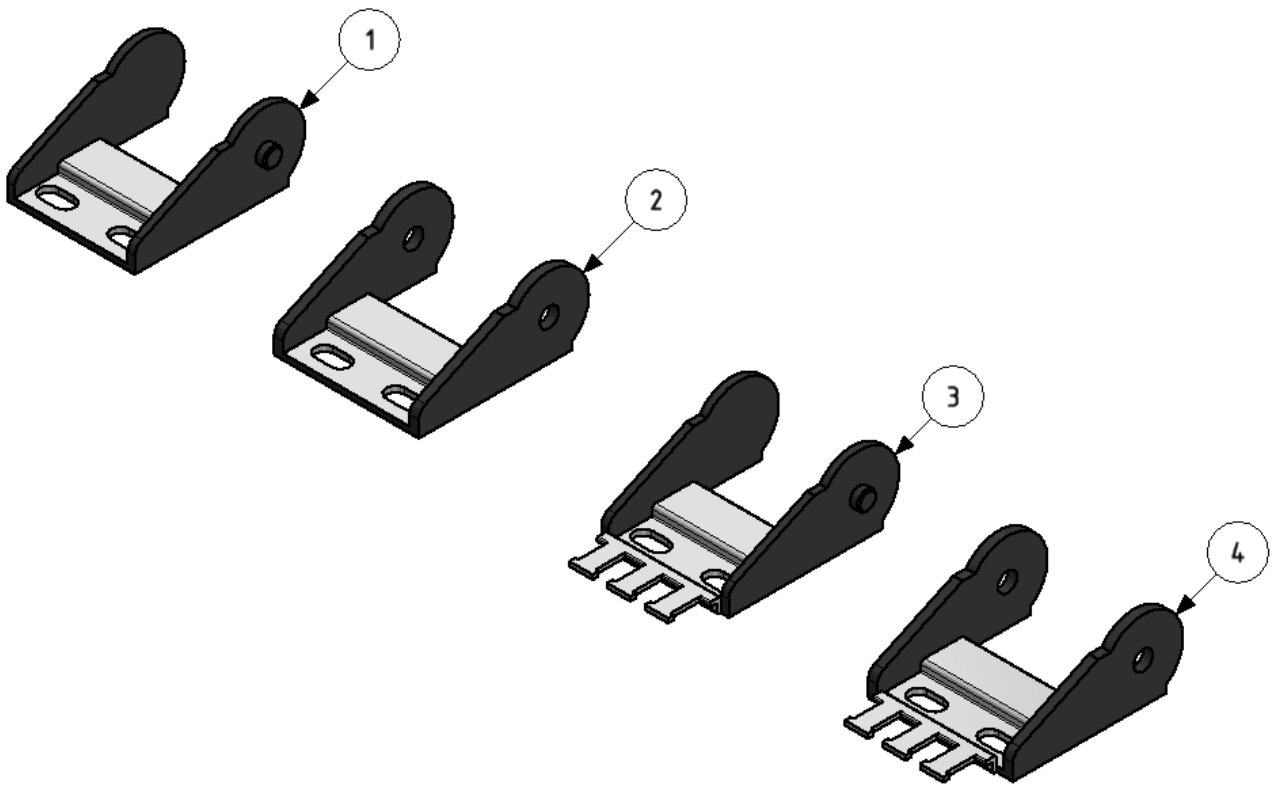
ME 0320 RE



Item	Materialtext [remarks]	Mat.-No.
5	Divider ME 0320 with pin [TS0 – without height separation, TS1 – continuous height separation with flat profile (item5), with pins, $s_T = 2\text{mm}$]	54492
6	Flat profile 2,1 x 9,1 [aluminum, for continuous height separation with divider (item4)]	6240
-	Special key 0321 [plastic, for connecting profile (item3)]	16091

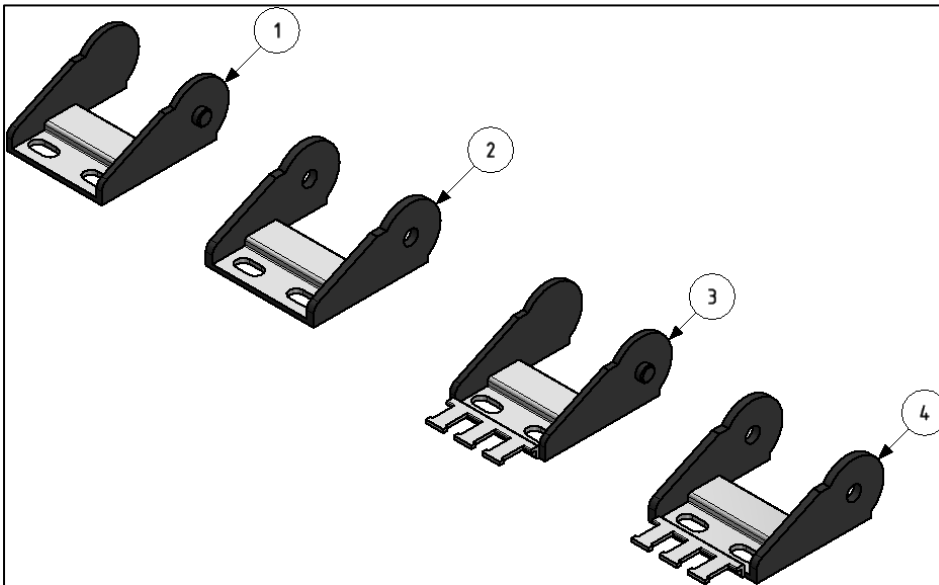
Back to: [contents](#)

Brackets M 0320



Item	Materialtext [remarks]	Mat.-No.	
1	End connector MC/ME 0320.15 w.bolt	54825	
	End connector MC/ME 0320.19 w.bolt	54826	
	End connector MC/ME 0320.24 w.bolt	54833	
	End connector MC/ME 0320.25 w.bolt	54838	
	End connector MC/ME 0320.29 w.bolt	54827	
	End connector MC/ME 0320.37 w.bolt	54834	
	End connector MC/ME 0320.39 w.bolt	54828	
	End connector MC/ME 0320.49 w.bolt	54829	
	End connector MC/ME 0320.69 w.bolt	54830	
	End connector MC/ME 0320.89 w.bolt	54831	
	End connector MC/ME 0320.124 w.bolt	54832	
	2	End connector MC/ME 0320.15 w.o.bolt	54875
		End connector MC/ME 0320.19 w.o.bolt	54876
End connector MC/ME 0320.24 w.o.bolt		54883	
End connector MC/ME 0320.25 w.o.bolt		54888	
End connector MC/ME 0320.29 w.o.bolt		54877	
End connector MC/ME 0320.37 w.o.bolt		54884	
End connector MC/ME 0320.39 w.o.bolt		54878	
End connector MC/ME 0320.49 w.o.bolt		54879	
End connector MC/ME 0320.69 w.o.bolt		54880	
End connector MC/ME 0320.89 w.o.bolt		54881	
End connector MC/ME 0320.124 w.o.bolt		54882	

Anschlusselemente M 0320



Item	Materialtext [remarks]	Mat.-No.
3	End connector MC/ME 0320.025 W.B.S.R.	54911
	End connector MC/ME 0320.029 W.B.S.R.	54913
	End connector MC/ME 0320.037 W.B.S.R.	54915
	End connector MC/ME 0320.039 W.B.S.R.	54917
	End connector MC/ME 0320.049 W.B.S.R.	54919
	End connector MC/ME 0320.069 W.B.S.R.	54921
	End connector MC/ME 0320.089 W.B.S.R.	54923
	End connector MC/ME 0320.109 W.B.S.R.	54925
	End connector MC/ME 0320.129 W.B.S.R.	54927
	End connector MC/ME 0320.149 W.B.S.R.	54929
4	End connector MC/ME 0320.025 WO.B.S.R.	54910
	End connector MC/ME 0320.029 WO.B.S.R.	54912
	End connector MC/ME 0320.037 WO.B.S.R.	54914
	End connector MC/ME 0320.039 WO.B.S.R.	54916
	End connector MC/ME 0320.049 WO.B.S.R.	54918
	End connector MC/ME 0320.069 WO.B.S.R.	54920
	End connector MC/ME 0320.089 WO.B.S.R.	54922
	End connector MC/ME 0320.109 WO.B.S.R.	54924
	End connector MC/ME 0320.129 WO.B.S.R.	54926
	End connector MC/ME 0320.149 WO.B.S.R.	54928

Back to: [contents](#)

NO CABLE CARRIER WITHOUT TRAXLINE CABLE.



TRAXLINE

- ultraflexible cables for cable carriers
- Pre-assembled cables



More Information about Traxline at:

Traxline.de

More Informationen about TSUBAKI KABELSCHLEPP:

- Cable carrier systems
- TRAXLINE
- Conveyor systems
- Guideway protection-systems

At: **kabelschlepp.de**

TSUBAKI KABELSCHLEPP GmbH

Daimlerstraße 2
D-57482 Wenden-Gerlingen
Fon: +49 (0)2762 4003-0
Fax: +49 (0)2762 4003-220
E-Mail: info@kabelschlepp.de

TSUBAKI KABELSCHLEPP
contacts & adresses:

